

WAT-230V2/CS 1/4" Miniature Camera

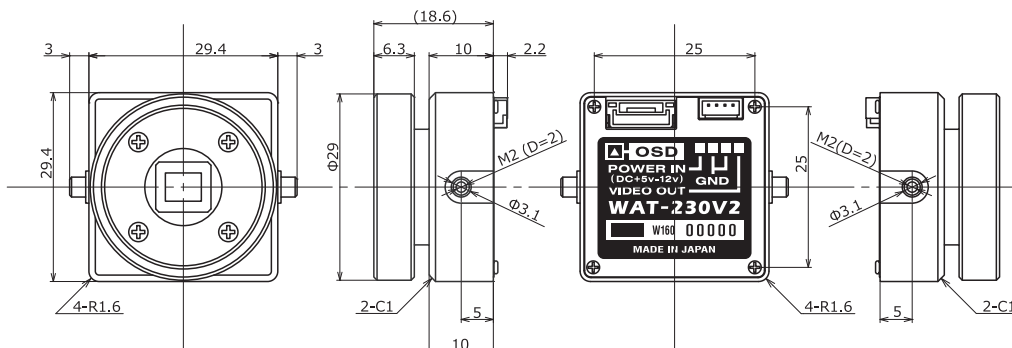
Ultra-compact design for easy installation and limited space



Key features

- High resolution of 650TVL
- Min.illumination 0.05 lx F1.2 (AGC ON=45dB, Shutter=OFF)
- Wide input voltage range (*DC 5V to 12V)
- Advanced setting available by OSD (On Screen Display) through an optional remote control

Dimensions



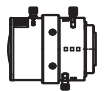
Specifications

		NTSC	PAL
Video standard		NTSC	PAL
Pick-up element		1/4 inch interline transfer CCD image sensor	
Number of effective pixels		976(H) × 494(V)	976(H) × 582(V)
Unit cell size		3.75μm(H) × 5.56μm(V)	3.75μm(H) × 4.69μm(V)
Imaging system		Ye, Cy, Mg, and G complementary color mosaic filters on chip	
Synchronizing system		Internal	
Scanning system		2:1 interlace	
Video outputs		Composite: 1.0 V(p-p) 75Ω (Unbalanced)	
Resolution (H)		More than 650TVL (Center)	
Minimum illumination		0.05 lx F1.2 (AGC ON=45dB, Shutter=OFF)	
S/N		More than 50dB (AGC OFF=0dB, γ=0.45)	
Function settings		OSD : Remote controller	
AE mode	Fixed	1/60, 1/100 sec.	1/50, 1/120 sec.
	EI	1/250, 1/500, 1/1000, 1/2000, 1/4000, 1/10000 sec.	1/50 - 1/100000 sec.
White balance		ATW, AWB, ACR, PWB, MWB, PRESET (5100K, 6300K)	
AGC	ON	0 - 45dB	
	OFF	0dB	
MGC		0 - 42dB (6dB step)	
Day/Night		Digital Auto, Manual	
Gamma characteristics		γ≈0.45	
Video level		Adjustable	
Noise reduction		2DNR OFF/ON Level adjustable	
Wide dynamic range		D-WDR OFF/ON Level adjustable	
Lens iris		-	
Back light compensation		BLC, HSBLC	
White blemish correction		Up to 64 pixels	
Sharpness		Level adjustable	
Defog		OFF/ON Level adjustable	
Digital zoom		-	
Privacy mask		8 masks	
Mirror image		OFF, H-FLIP	
Freeze		-	
Motion detection		-	
Neg.image		-	
Interface		4P connector (Composite Video, Power in), Remote control (RC-01)	
Power supply		DC+5V - 12V	
Power consumption		0.775W/155mA (DC+5V), 0.78W/65mA (DC+12V)	
Operating temperature		-10 - +50°C	
Storage temperature		-30 - +70°C	
Operating / Storage humidity		95% RH or less (Without condensation)	
Lens mount		CS mount	
Weight		Approx. 28g	
Accessories		4P cable	

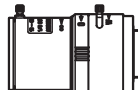
Accessories
 Options

WAT-230V2/CS

CS-mount lenses



13VM308ASIR II




13VM1040ASIR

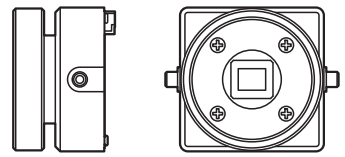
C-mount lenses

※Not in our lineup


C-mount adaptor



30CMA-R




Camera bracket



B001

Stand

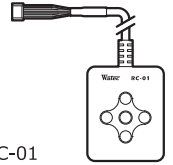


MS50




OSD

Remote control



RC-01

Cable

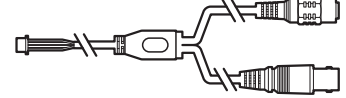


4P cable (300mm)

VIDEO OUT

POWER IN (DC5-12V)

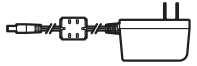
Cable with connectors




CB-01

POWER IN (DC12V)

Power supply adaptors



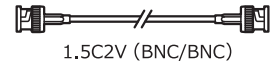
SWI12-12-N-P5




SWI12-12-E-P5

Cables

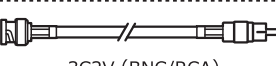
VIDEO OUT (BNC)



1.5C2V (BNC/BNC)



3C2V (BNC/BNC)



3C2V (BNC/RCA)

VIDEO OUT (BNC)

VIDEO OUT (RCA)



※Not in our lineup